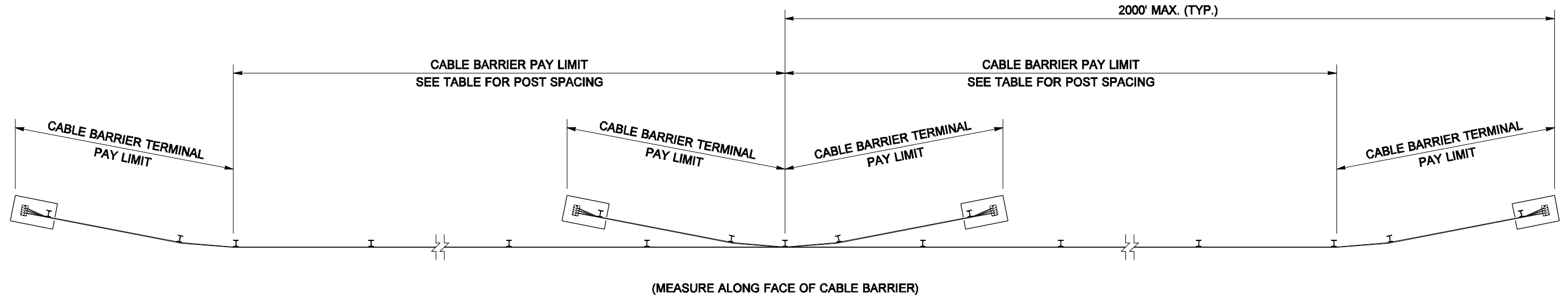


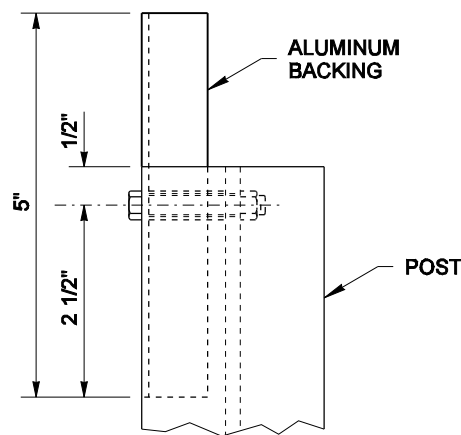
TABLE	
CURVE RADIUS	POST SPACING
LESS THAN 110'	USE NOT RECOMMENDED
110' TO 219'	6'
220' TO 699'	12'
700' OR MORE AND TANGENT SECTIONS	16'

**NOTES**

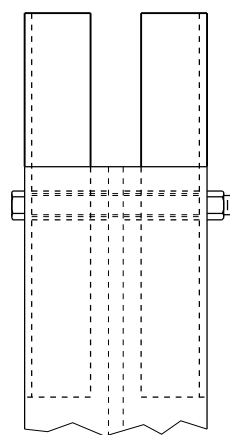
1. When installed in front of slopes steeper than 6:1, the distance between posts and slope break point shall be 1' - 0" minimum.
2. Where barrier is parallel to the edge of the travelled way, every sixth post shall have a reflector, see Reflector Detail. Reflectors shall be white when installed on the right side of traffic, and yellow when installed on the left side of traffic.
3. See Standard Plan C-11b for Cable Barrier Terminal details.



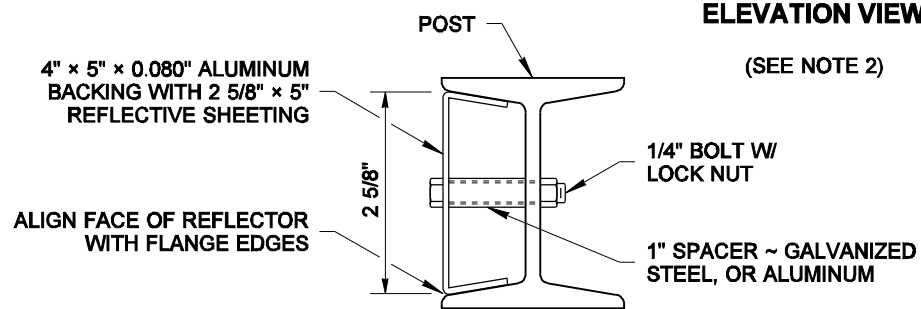
**PLAN VIEW  
CABLE BARRIER PLACEMENT**



**ELEVATION VIEW  
(SEE NOTE 2)**



**INSTALL ON BOTH  
SIDES OF POST  
WHEN IN MEDIAN**



**PLAN VIEW  
REFLECTOR DETAIL**



EXPIRES JULY 24, 2004

NOTE: THIS PLAN IS NOT A LEGAL ENGINEERING DOCUMENT UNLESS IT IS SIGNED BY THE ENGINEER AND APPROVED FOR PUBLICATION IS KEPT ON FILE AT THE WASHINGTON STATE DEPARTMENT OF TRANSPORTATION. A COPY MAY BE OBTAINED UPON REQUEST.

**CABLE BARRIER  
PLACEMENT  
STANDARD PLAN C-11a**

SHEET 1 OF 1 SHEET

APPROVED FOR PUBLICATION

**Harold J. Peterfeso** 05-20-04

STATE DESIGN ENGINEER

DATE



Washington State Department of Transportation

04/2004	REVISED TABLE, NOTE 1, & REFLECTOR DETAIL	MS
DATE	REVISION	BY