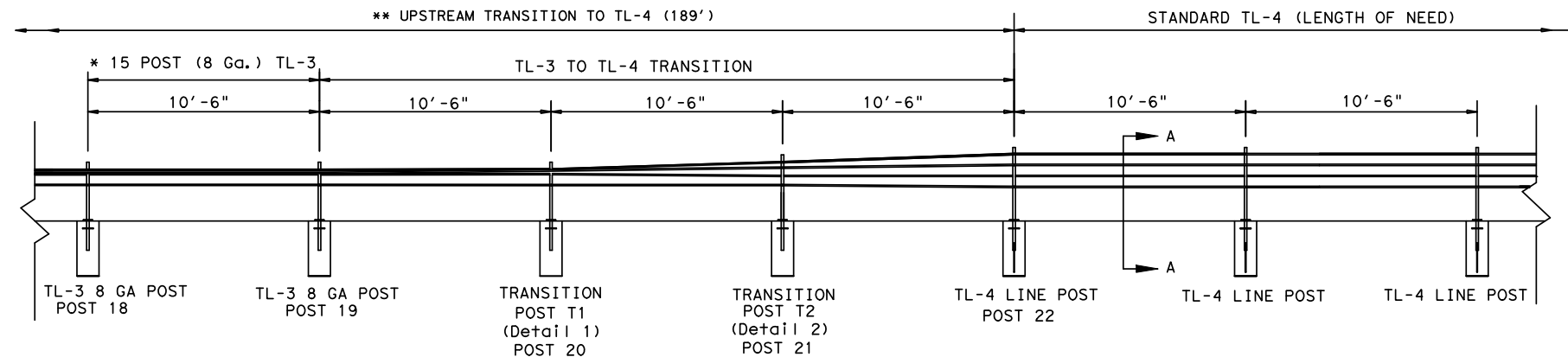


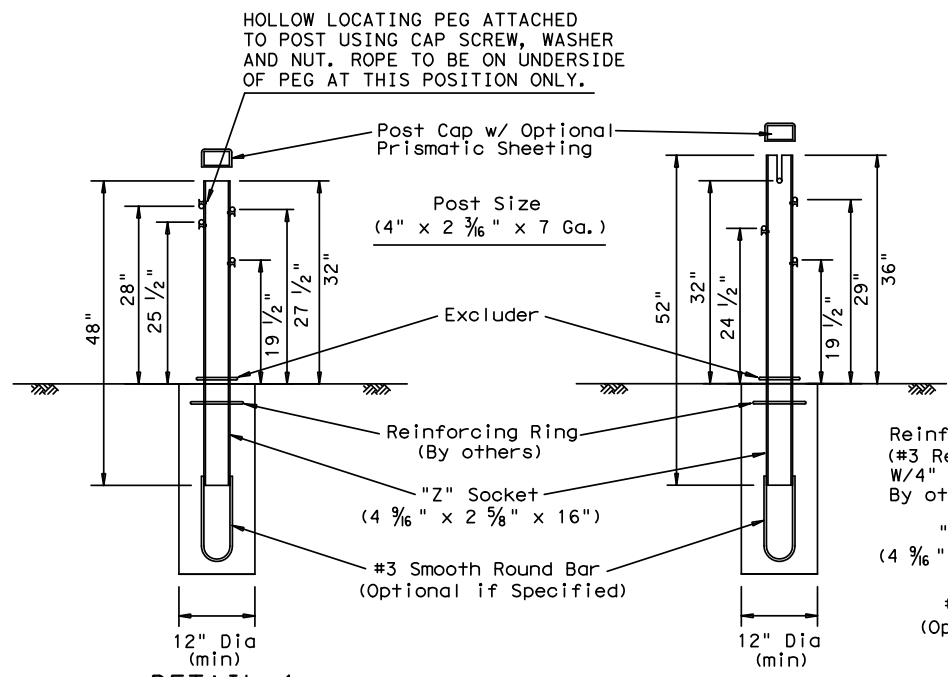
TYPICAL TL-4 LAYOUT

GENERAL NOTES

- For additional information, contact Brifen USA Inc. at 1-866-427-4336.
- All concrete shall be class A.
- All posts are set in concrete sockets unless otherwise specified.
- Spacing of the line post may be decreased. For additional information see the manufacturer's product manual.
- Use WRSF (TL-3) detail sheet together with WRSF (TL-4) in the plans. The WRGT end terminal is NCHRP-350 approved and may be located within the Horizontal Clear Zone. End Terminal taper may not exceed 25:1, 50:1 or less is preferred.
- Wire Rope Safety Fence (WRSF) is recommended for depressed median installations on slopes of 6:1 or flatter, placed where an errant vehicle can approach on a relatively smooth surface.
- The WRSF is designed for bi-directional traffic flows. See the manufacturer's product manual for placement adjacent to guardrail end treatments.
- WRSF may be installed on either side of the median. The radius edge of posts shall be on the approach side of traffic.
- WRGT-RD end anchor terminal may be used on TL-4 WRSF downstream ends where head-on impacts from opposite-direction traffic are unlikely, behind barriers on bridge approaches, or as an upstream anchor if shielded from traffic (Departure end of bridges, etc). LON begins 30 feet from end.
- All posts are made so that ropes may be placed on either side of post depending on rope weave pattern.
- See the Texas MUTCD for proper "Barrier" delineation.
- End anchor and post foundation sizes are determined by soil classification and conditions as well as temperature extremes. Refer to product manual or contact Brifen USA.

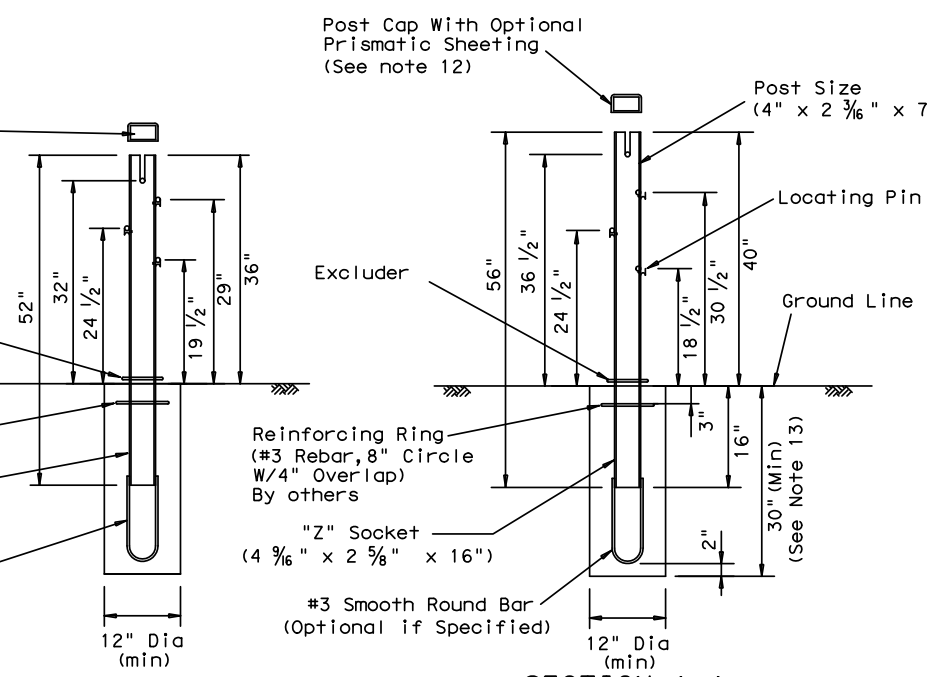


TRANSITION TO TL-4



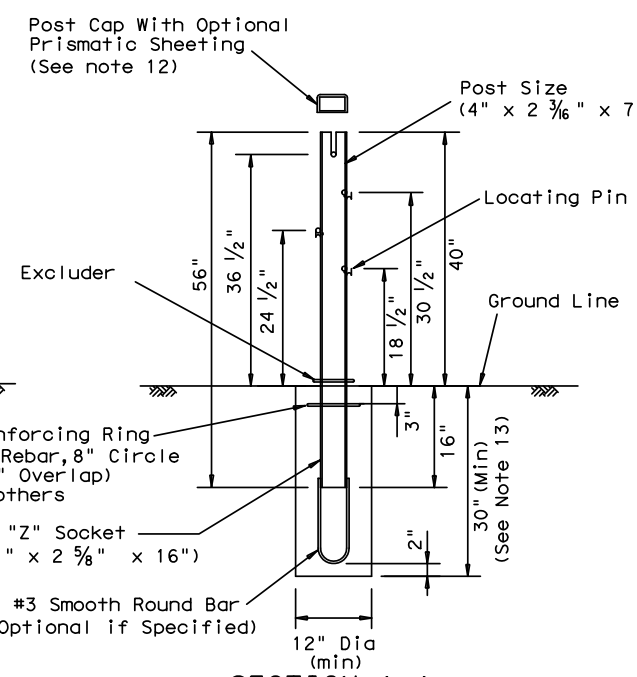
DETAIL 1

T1-TRANSITION POST (NON-SLOTTED)  
CONCRETE SOCKETED FOUNDATION



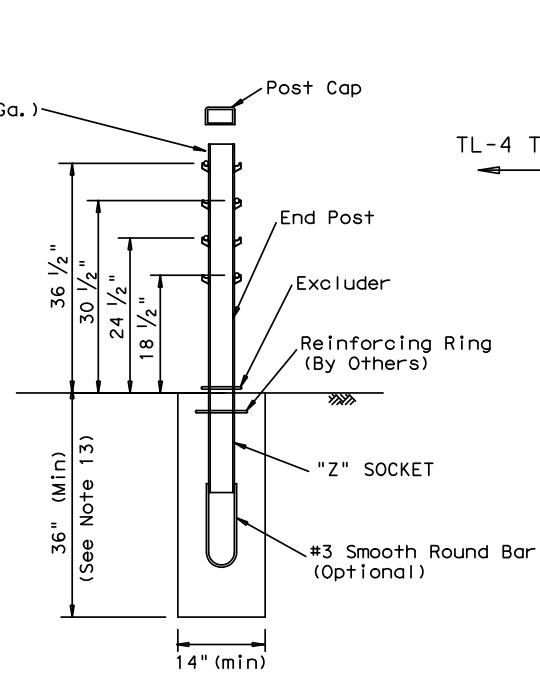
DETAIL 2

T2-TRANSITION (SLOTTED) POST  
CONCRETE SOCKETED FOUNDATION



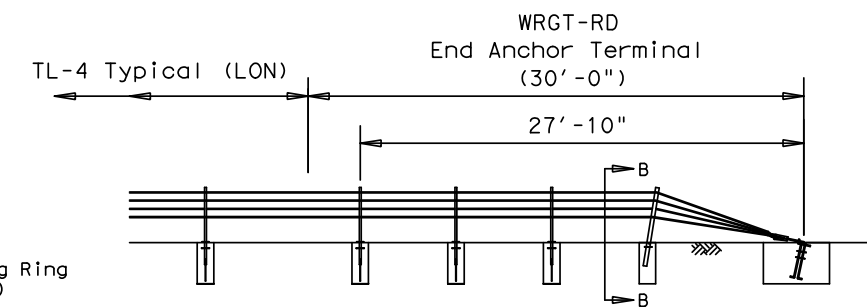
SECTION A-A

TL-4 LINE POST DETAIL  
CONCRETE SOCKETED FOUNDATION



SECTION B-B

END POST DETAIL (TL-4)  
CONCRETE SOCKETED FOUNDATION



WRGT-RD END ANCHOR TERMINAL

(See General Notes 9 & 12)

WIRE ROPE SAFETY FENCE  
(TL-4) WRSF

(Brifen USA, Safety Fence)

P.E. SEAL  
REQUIRED  
**PRELIMINARY**  
SUBJECT TO REVISION

LEVELS DISPLAYED

1
---

FILE#	DN#	CK#	OW#	CK#
DISTRICT		FEDERAL AID PROJECT		
REVISIONS		COUNTY	CONTROL SECT	JOB HIGHWAY