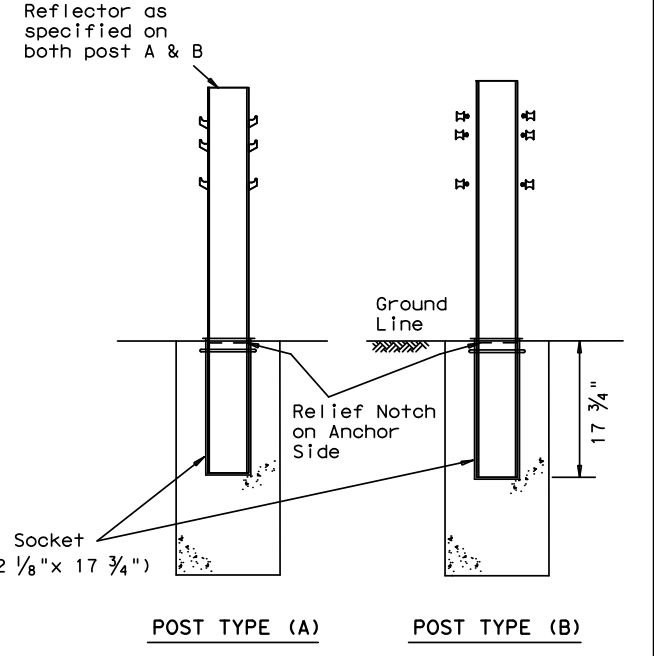
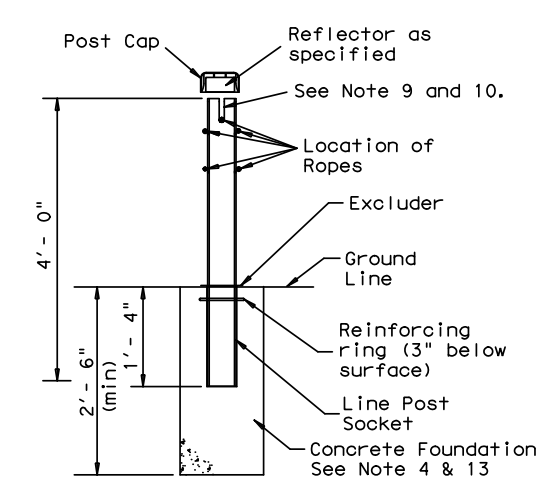
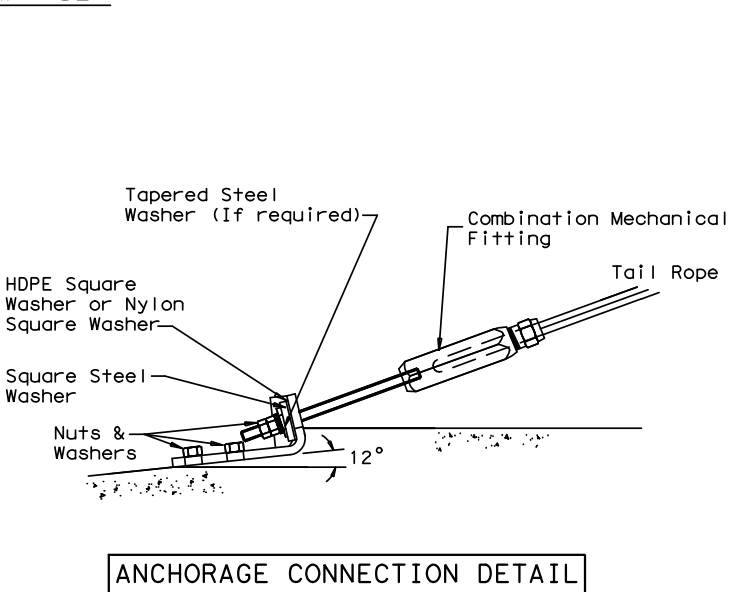
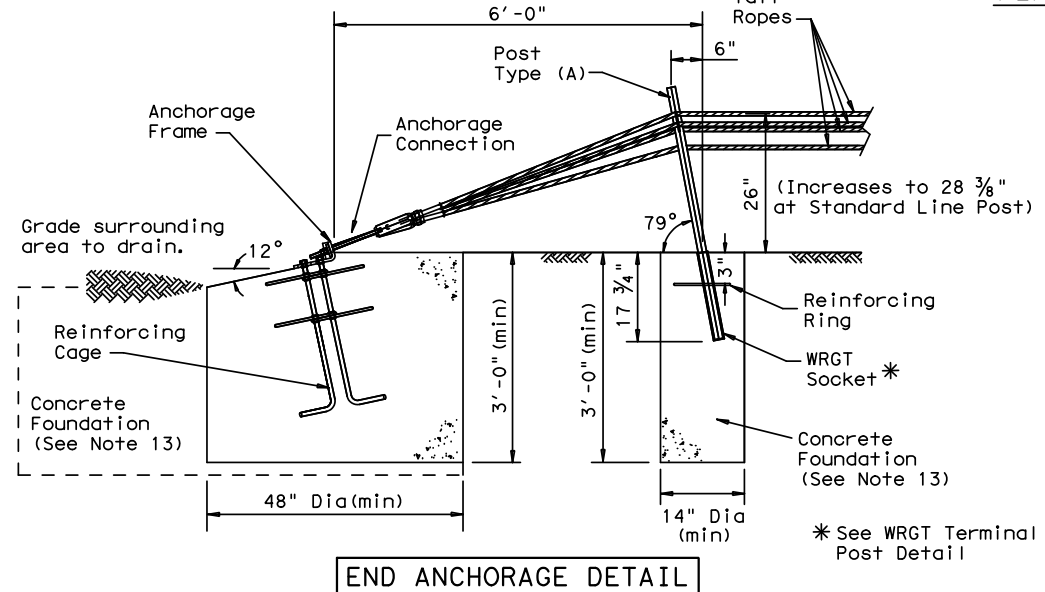
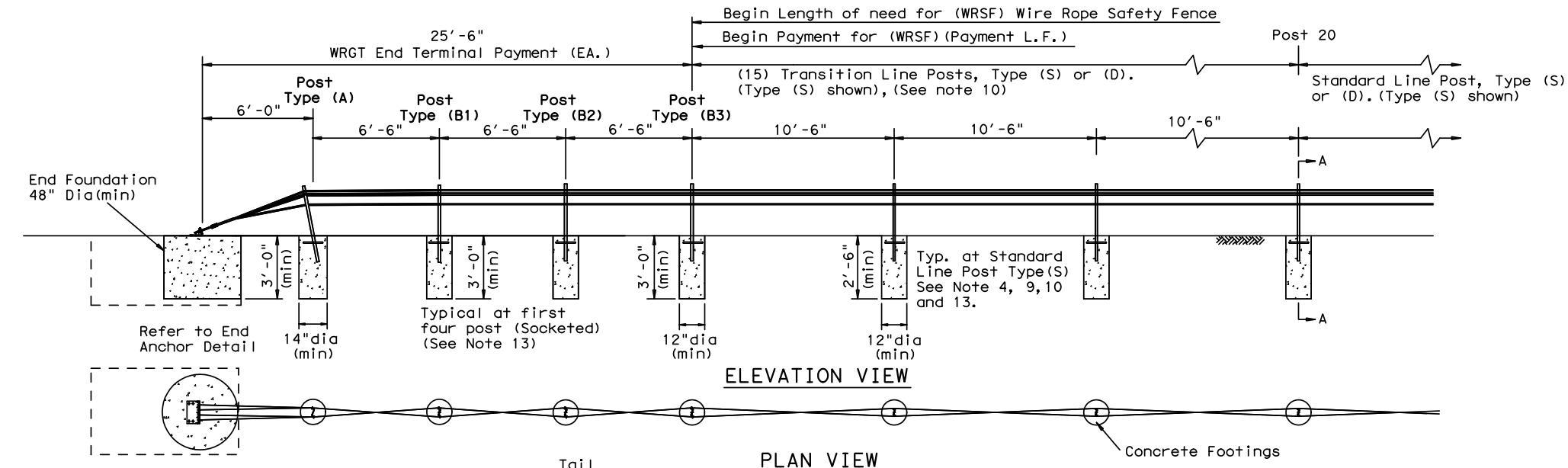


**GENERAL NOTES**

- For additional information, contact Brifen USA Inc. at 1-866-427-4336.
- All concrete shall be class A.
- For payment see special specification "Cable Barrier System".
- All posts are set in concrete sockets unless otherwise specified.
- Spacing of the line post may be decreased. For additional information see the manufacturer's product manual.
- WRGT end terminal is NCHRP-350 approved and may be located within the Horizontal Clear Zone. End Terminal taper may not exceed 25:1, 50:1 or less is preferred.
- Wire Rope Safety Fence (WRSF) is recommended for depressed median installations on slopes of 6:1 or flatter, placed where an errant vehicle can approach on a relatively smooth surface.
- The WRSF is designed for bi-directional traffic flows. See the manufacturer's product manual for placement adjacent to guardrail end treatments.
- WRSF may be installed on either side of the median. The radius edge of posts shall be on the approach side of traffic.
- First 15 transition line posts adjacent to WRGT End Terminal do not have top rope slot. All the ropes weave on either side of posts until the first standard line post with a slot (Post 20).
- All posts are made so that ropes may be placed on either side of post depending on rope weave pattern.
- See the Texas MUTCD for proper "Barrier" delineation.
- End anchor and post foundation sizes are determined by soil classification and conditions as well as temperature extremes. Refer to product manual or contact Brifen USA.



**COMPONENT ROPE**

Threaded Terminal (LH Threads) | Threaded Terminal (RH Threads)

Standard Fitted Rope Assembly  
Standard Length = 1007'

TENSION CHART	
AMBIENT TEMPERATURE	ROPE TENSION
F	LBS
100	2110
95	2531
86	3150
77	3769
68	4387
59	5006
50	5625
41	6244
32	6863
23	7481
14	8100
0	9100

**TAIL ROPE**

Threaded Terminal | HDPE Washer | Steel Washer | Mechanical Fitting (If required)

Tail rope to required length

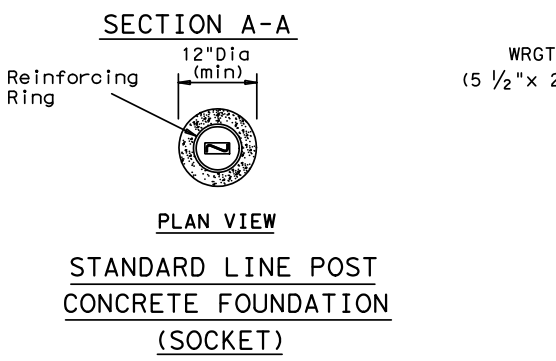
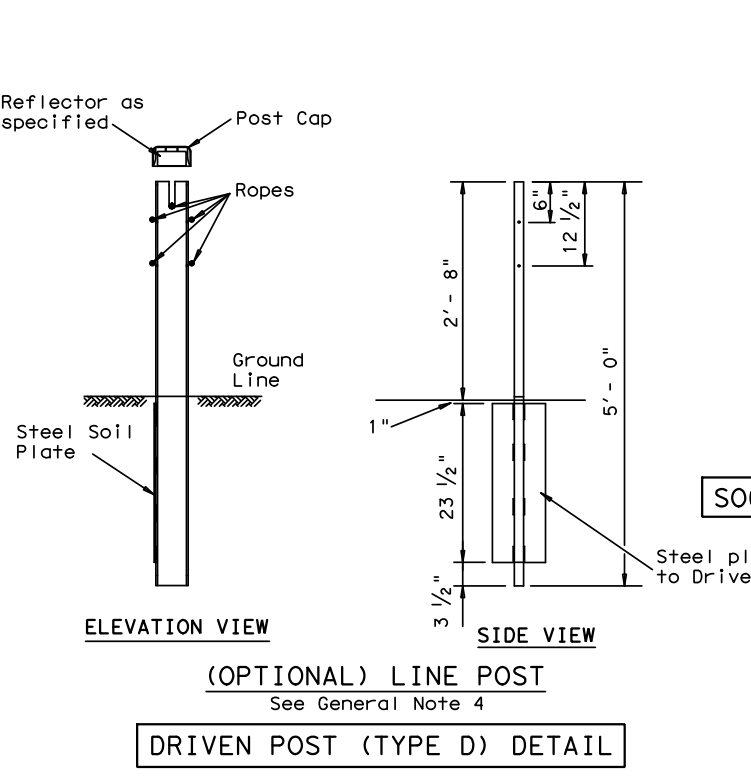
Threaded Terminal | Combination Mechanical Fitting

Tail rope to required length

**TURNBUCKLE/RIGGING SCREW [A52]**

Left hand threaded | 1'-2" | Right hand threaded

**ROPE COMPONENTS AND TENSION CHART**



P. E. SEAL REQUIRED  
**PRELIMINARY**  
SUBJECT TO REVISION

**WIRE ROPE SAFETY FENCE**  
(TL-3, 4 Rope)  
(Brifen USA, Safety Fence)

FILE#	DN#	CK#	OW#	CK#
DISTRICT		FEDERAL AID PROJECT		
REVISIONS		COUNTY	CONTROL SECT	JOB HIGHWAY

LEVELS DISPLAYED